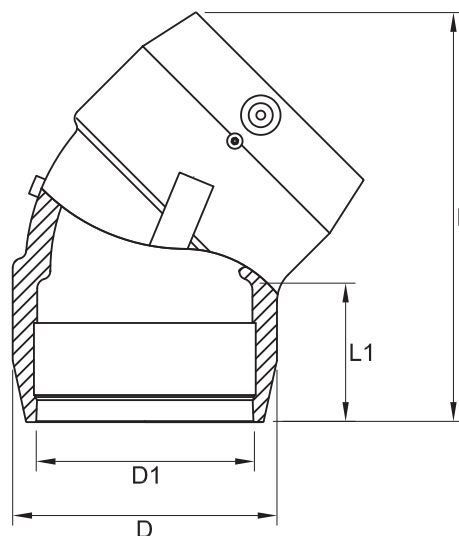


# DATASHEET

## ELECTROFUSION 45° ELBOW

d32 - 250mm



|                        |   |
|------------------------|---|
| <b>Sizes</b>           | 32 - 250mm by 45°   |
| <b>Raw Material</b>    | PE100 Black   |
| <b>Pressure Rating</b> | Water PN16<br>Gas 10 Bar  |
| <b>Pipe SDR Range</b>  | 32mm - 50mm: SDR11<br>63mm - 225mm: SDR11 - 17.6<br>250mm: SDR11 - 21   |
| <b>Specifications</b>  | All Fusamatic electrofusion 45° elbows are tested and have 3rd party approval against the following standards: <ul style="list-style-type: none"> <li>EN12201-3 / UNI EN12201-3 / UNE EN12201-3</li> <li>EN1555-3 / UNI EN1555-3 / UNE EN1555-3</li> <li>GIS PL2/4 (up to 180mm only)</li> <li>ISO 4427-3</li> <li>ISO 4437-3</li> <li>MS1058 Part 3</li> <li>AS/NZS 4129 and ISO Type 5</li> <li>AS/NZS 4129 and WaterMark Level 1</li> <li>INSTA SBC 12201-3 and INSTA SBC EN1555-3 (upon request)</li> </ul> |

### Product codes and dimensions

| 4mm Pin Fitting Code | 4.7mm Pin Fitting Code | Fitting Size | L   | L1   | D    | D1  | Fusion Time | Cooling Time | Weight | Box Quantity | Box Size (W X L X D) |
|----------------------|------------------------|--------------|-----|------|------|-----|-------------|--------------|--------|--------------|----------------------|
|                      |                        | mm           | mm  | mm   | mm   | mm  | secs        | mins         | Kg     |              | mm                   |
| EBKHFM32X45          | EBKHA32X45             | 32 x 45deg   | 99  | 39   | 44   | 32  | 45          | 5            | 0.08   | 100          | 295 X 485 X 333      |
| EBKHFM40X45          | EBKHA40X45             | 40 x 45deg   | 108 | 41.5 | 53   | 40  | 50          | 5            | 0.10   | 70           | 295 X 485 X 333      |
| EBKHFM50X45          | EBKHA50X45             | 50 x 45deg   | 124 | 44.5 | 64   | 50  | 90          | 5            | 0.14   | 50           | 295 X 485 X 333      |
| EBKHFM63X45          | EBKHA63X45             | 63 x 45deg   | 137 | 50   | 78.5 | 63  | 35          | 5            | 0.23   | 30           | 295 X 485 X 333      |
| EBKHFM75X45          | EBKHA75X45             | 75 x 45deg   | 165 | 54   | 94   | 75  | 70          | 5            | 0.35   | 20           | 295 X 485 X 333      |
| EBKHFM90X45          | EBKHA90X45             | 90 x 45deg   | 177 | 60   | 117  | 90  | 110         | 10           | 0.55   | 18           | 295 X 485 X 424      |
| EBKHFM110X45         | EBKHA110X45            | 110 x 45deg  | 213 | 75   | 137  | 110 | 140         | 10           | 0.93   | 10           | 295 X 485 X 424      |
| EBKHFM125X45         | EBKHA125X45            | 125 x 45deg  | 240 | 81   | 154  | 125 | 140         | 10           | 1.25   | 6            | 295 X 485 X 424      |
| EBKHFM160X45         | EBKHA160X45            | 160 x 45deg  | 283 | 89   | 201  | 160 | 360         | 20           | 4.50   | 4            | 295 X 485 X 333      |
| EBKHFM180X45         | EBKHA180X45            | 180 x 45deg  | 299 | 90   | 222  | 180 | 360         | 16           | 3.13   | 2            | 475 X 295 X 314      |
| EBKHFA200X45         | EBKHA200X45            | 200 x 45deg  | 350 | 90   | 243  | 200 | 440         | 20           | 4.1    | 2            | 370 X 560 X 340      |
| EBKHFA225X45         | EBKHA225X45            | 225 x 45deg  | 377 | 100  | 274  | 225 | 600         | 30           | 5.6    | 2            | 400 X 600 X 390      |
| EBKHFA250X45         | EBKHA250X45            | 250 x 45deg  | 421 | 115  | 304  | 250 | 900         | 30           | 7.1    | 1            | 440 X 340 X 460      |