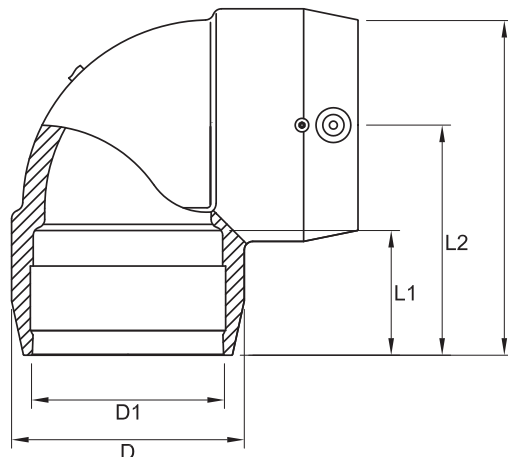


# DATASHEET

## ELECTROFUSION 90° ELBOW

d20 - 250mm



<b>Sizes</b>	20 - 250mm by 90°
<b>Raw Material</b>	PE100 Black
<b>Pressure Rating</b>	Water PN16 Gas 10 Bar
<b>Pipe SDR Range</b>	20mm - 50mm: SDR11 63mm - 225mm: SDR11 - 17.6 250mm: SDR11 - 21
<b>Specifications</b>	All Fusamatic electrofusion 90° elbows are tested and have 3rd party approval against the following standards: <ul style="list-style-type: none"> <li>EN12201-3 / UNI EN12201-3 / UNE EN12201-3</li> <li>EN1555-3 / UNI EN1555-3 / UNE EN1555-3</li> <li>GIS PL2/4 (up to 180mm only)</li> <li>ISO 4427-3</li> <li>ISO 4437-3</li> <li>MS1058 Part 3</li> <li>AS/NZS 4129 and ISO Type 5</li> <li>AS/NZS 4129 and WaterMark Level 1</li> <li>INSTA SBC 12201-3 and INSTA SBC EN1555-3 (upon request)</li> </ul>

### Product codes and dimensions

4mm Pin Fitting Code	4.7mm Pin Fitting Code	Fitting Size	L	L1	L2	D	D1	Fusion Time	Cooling Time	Weight	Box Quantity	Box Size (W X L X D)
												mm
EBKHFM20X90	EBKHA20X90	20 x 90deg	77	40	62	30	20	25	3	0.15	60	465 X 276 X 190
EBKHFM25X90	EBKHA25X90	25 x 90deg	76	41	60	35	25	30	5	0.06	100	295 X 485 X 333
EBKHFM32X90	EBKHA32X90	32 x 90deg	84	40	62	44	32	60	5	0.10	80	295 X 485 X 333
EBKHFM40X90	EBKHA40X90	40 x 90deg	91	42	65	52	40	50	5	0.12	65	295 X 485 X 333
EBKHFM50X90	EBKHA50X90	50 x 90deg	103	45	72	63	50	90	5	0.17	50	295 X 485 X 333
EBKHFM63X90	EBKHA63X90	63 x 90deg	123	50	84	80	63	35	5	0.31	25	295 X 485 X 333
EBKHFM75X90	EBKHA75X90	75 x 90deg	141	53	92	95	75	70	5	0.44	20	295 X 485 X 333
EBKHFM90X90	EBKHA90X90	90 x 90deg	165	60	109	113	90	90	10	0.68	15	295 X 485 X 424
EBKHFM110X90	EBKHA110X90	110 x 90deg	204	73	135	137	110	160	15	1.15	6	295 X 485 X 333
EBKHFM125X90	EBKHA125X90	125 x 90deg	228	75	152	154	125	200	15	1.64	6	295 X 485 X 424
EBKHFM160X90	EBKHA160X90	160 x 90deg	305	87	205	201	160	360	20	5.00	2	295 X 485 X 424
EBKHFM180X90	EBKHA180X90	180 x 90deg	308	90	197	222	180	360	16	4.12	2	575 X 315 X 329
EBKHFA200X90	EBKHA200X90	200 x 90deg	335	90	TBC	243	200	440	20	5.2	2	370 x 560 x 340
EBKHFA225X90	EBKHA225X90	225 x 90deg	376	100	TBC	274	225	600	30	7.4	2	400 x 600 x 390
EBKHFA250X90	EBKHA250X90	250 x 90deg	409	115	TBC	304	250	900	30	9.7	1	440 x 340 x 460