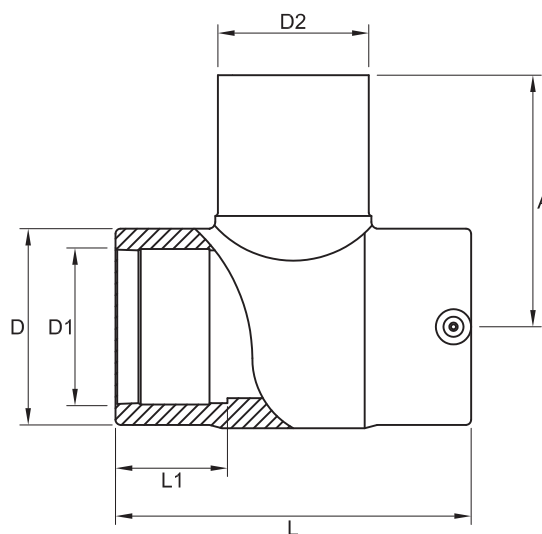


DATASHEET

ELECTROFUSION EQUAL TEE

d20 - 250mm



Sizes	20 - 250mm
Raw Material	PE100 Black
Pressure Rating	Water PN16 Gas 10 Bar
Pipe SDR Range	20mm - 63mm: SDR11 75mm - 225mm: SDR11 - 17.6 250mm: SDR11 - 21
Specifications	All Fusamatic electrofusion equal tees are tested and have 3rd party approval against the following standards: <ul style="list-style-type: none"> • EN12201-3 / UNI EN12201-3 / UNE EN12201-3 • EN1555-3 / UNI EN1555-3 / UNE EN1555-3 • ISO 4427-3 • ISO 4437-3 • MS1058 Part 3 • AS/NZS 4129 and ISO Type 5 • AS/NZS 4129 and WaterMark Level 1 • INSTA SBC 12201-3, INSTA SBC EN1555-3 and GIS PL2/4 (upon request)

Product codes and dimensions

4mm Pin Fitting Code	4.7mm Pin Fitting Code	Fitting Size	L	L1	D	D1	D2	A	Fusion Time	Cooling Time	Weight	Box Quantity	Box Size (W X L X D)
		mm	mm	mm	mm	mm	mm	mm	secs	mins	Kg		mm
ETBKHF20	ETBKHA20	20 x 20 x 20	98	35	30	20	20	86	25	3	0.061	75	465 X 276 X 190
ETBKHF25	ETBKHA25	25 x 25 x 25	98	35	35	25	25	88.5	25	3	0.072	45	465 X 276 X 190
ETBKHF32	ETBKHA32	32 x 32 x 32	98	31.7	44	32	32	93	50	3	0.108	30	465 X 276 X 190
ETBKHF40	ETBKHA40	40 x 40 x 40	131	44	52	40	40	91	50	5	0.16	18	295 X 485 X 199
ETBKHF50	ETBKHA50	50 x 50 x 50	141	43	63	50	50	104	90	5	0.23	25	295 X 485 X 333
ETBKHF63	ETBKHA63	63 x 63 x 63	156	50	82	63	63	114	40	5	0.45	20	295 X 485 X 424
ETBKHF75	ETBKHA75	75 x 75 x 75	174	55	100	75	75	134	50	6	0.60	12	295 X 485 X 333
ETBKHF90	ETBKHA90	90 x 90 x 90	206	64	115	90	90	143	110	8	0.97	10	295 X 485 X 333
ETBKHF110	ETBKHA110	110 x 110 x 110	239	73	139	110	110	157	140	10	1.67	6	295 X 485 X 424
ETBKHF125	ETBKHA125	125 x 125 x 125	264	80	156	125	125	182	200	15	2.30	4	575 X 315 X 329
ETBKHF160	ETBKHA160	160 x 160 x 160	313	89	200	160	160	211	360	20	4.06	2	435 X 335 X 339
ETBKHF180	ETBKHA180	180 x 180 x 180	334	90	222	180	180	232	360	19	5.30	2	435 X 330 X 369
ETBKHF200	ETBKHA200	200 x 200 x 200	358	90	242	200	200	260	440	20	7.3	1	400 X 280 X 400
ETBKHF225	ETBKHA225	225 x 225 x 225	406	105	271	225	225	285	600	30	9.4	1	420 X 310 X 440
ETBKHF250	ETBKHA250	250 x 250 x 250	448	105	303	250	250	314	900	30	14.1	1	470 X 340 X 490

